

## EM Extension module

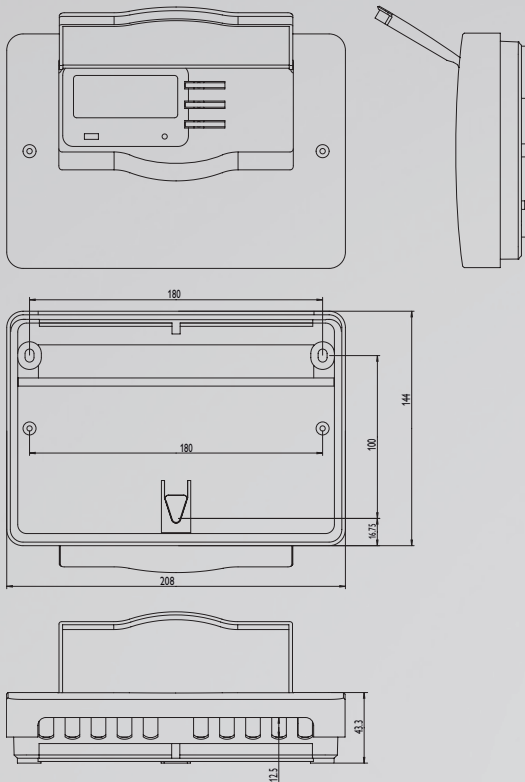
For the connection to the *DeltaSol®* MX, *DeltaSol®* BX Plus or *DeltaTherm®* HC



Extension of the controllers  
by 6 sensor inputs and 5 relay outputs

- ✓ 7-segment LC display
- ✓ Function control
- ✓ Slide switch 0 Auto I
- ✓ RESOLVBus® data interface
- ✓ Energy-efficient switching-mode power supply
- ✓ 4 semiconductor relays, 1 potential-free relay
- ✓ Different sensor types to choose from (Pt1000, Pt500, KTY)
- ✓ Up to 5 Extension Modules can be connected to the *DeltaSol®* MX
- ✓ Up to 2 Extension Modules can be connected to the *DeltaSol®* BX Plus
- ✓ Up to 5 Extension Modules can be connected to the *DeltaTherm®* HC
- ✓ Usable for all optional functions of the *DeltaSol®* MX, *DeltaSol®* BX Plus and *DeltaTherm®* HC
- ✓ Easy to install, configuration via the controller

## Technical data



**Inputs:** 6 Pt1000, Pt500 or KTY temperature sensors

**Outputs:** 4 semiconductor relays and 1 potential-free relay

**Switching capacity:**

1 (1) A 240 V~ (semiconductor relay)

4 (1) A 24 V~/240 V~ (potential-free relay)

**Total switching capacity:** 4 A 240 V~

**Power supply:** 100 ... 240 V~ (50 ... 60 Hz)

**Supply connection:** type Y attachment

**Standby:** 0,30 W

**Mode of operation:** type 1.B.C.Y action

**Rated impulse voltage:** 2.5 kV

**Data interface:** RESOL VBus®

**Housing:** plastic, PC-ABS and PMMA

**Mounting:** wall mounting

**Indication / Display:** LC display, 7-segment display

**Operation:** 3 push buttons and 1 slide switch at the front of the housing

**Ingress protection:** IP 20 / EN 60529

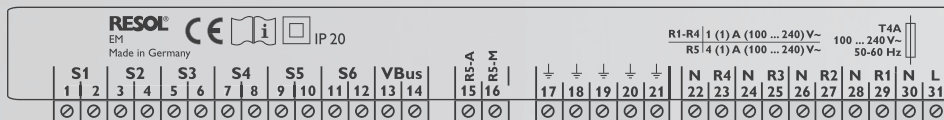
**Protection class:** II

**Ambient temperature:** 0 ... 40 °C

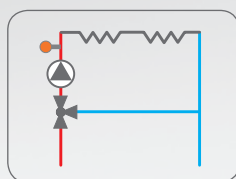
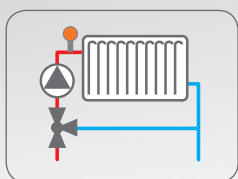
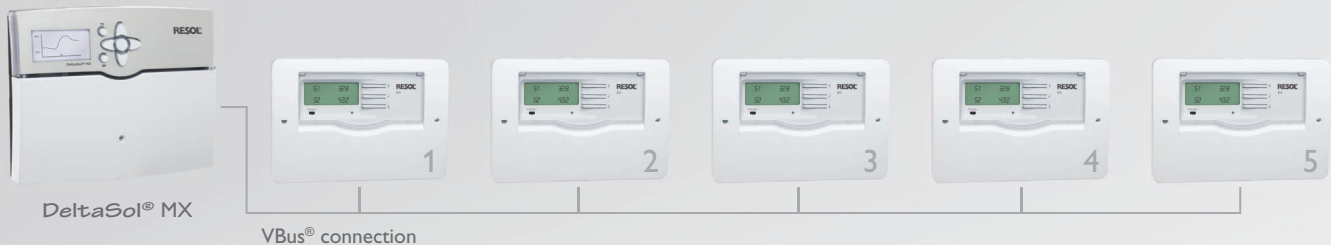
**Pollution degree:** 2

**Dimensions:** 144 × 208 × 43 mm

## Electrical connection



## Example



e. g. controlling up to 7 heating circuits with one MX